

TELETHERMETER TC/TA/TW

Application

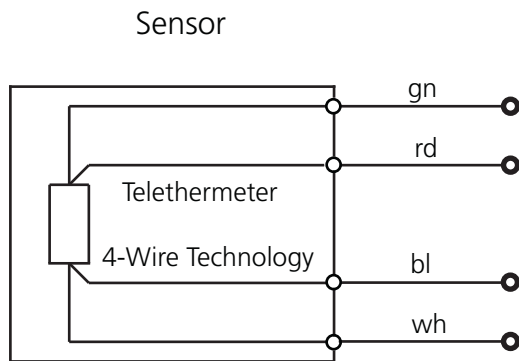
The Telethermometer is used for longterm measurements of temperature in concrete, rock, foundation, air and water.

Description

The Telethermometer is an electrical resistance thermometer. For reading the values portable Indipoc readouts can be used. Additionally it can be connected to automatic data acquisition systems like the Huggenberger Tensologger system.



TC type for direct installation in concrete



TA type with Shelter (weather and radiation protection)



TW type with protective housing for underwater installation

Technical Data

Type	TC	TA	TW
Range of application	Concrete	Air	Water
Technology	Copper wire coil	Copper wire coil	Copper wire coil
Measuring range	-30 up to +80 °C	-30 up to +80 °C	-30 up to +80 °C
Precision	±0.2 °C	±0.2 °C	±0.2 °C
Additional case	–	Shelter (weather and radiation protection)	Robust stainless steel case for underwater installation
Connection	4 wire connection with cable TS-PUR		